

VERDERFLEX

Ds500



Description

The Verderflex Ds500 is an industrial peristaltic pump designed for metering, dosing and transfer (fluid/chemical) with a focus on accuracy and minimum downtime, at pressures of up to 7 bar(g).

Your benefits

- Accurate flow performance from 0.1 to 500 ml/min. and pressures of up to 7 bar(g).
- Space saving footprint with secure mounting for easy integration into pump systems.
- Maximum working time/minimum downtime with tool free cartridge changes in situ.
- Minimal fluid 'live' containment ensures user safety and reduced clean up requirement.
- Repeatability of up to ±1% accuracy with reduced pulsation flow.
- No valves - non clogging, no degassing required, abrasion resistant.
- Full colour 4.3" TFT touchscreen.

Technical data

Supply voltage	100-240V 50/60Hz AC	Ambient operating temperature	4 - 45°C
Flow range	0.1 - 500 ml/min	Max. temperature of pumped medium	70°C
Speed range	0.01 - 65 RPM	Noise level	< 70dB(A) @1m
Max. discharge pressure	7 bar(g)	IP rating	IP66, NEMA Type 4X
Max. discharge speed adjustment range	5000:1	Humidity	5-95% RH (non-condensing)
Weight (inc. pump head)	8.25kg	4-20mA resolution	1600:1

Materials

Description	Materials
Pump housing	20% GF PPE/PS (Polyphenyl Ether + Polystyrene), Stanyl®
Drive shaft	PA6 (nylon)
Pump head	20% GF PPE/PS + PA6 + Polypropylene
Screen guard	Polycarbonate
Screen enclosure	20% GF PPE/PS

VERDERFLEX

Ds500

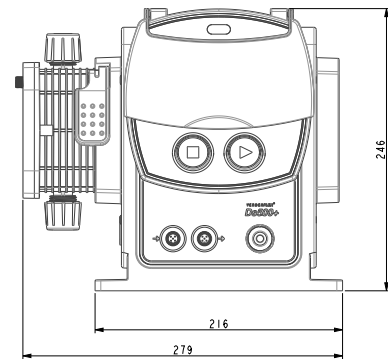
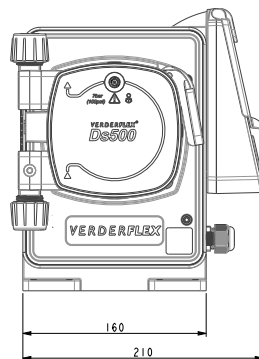
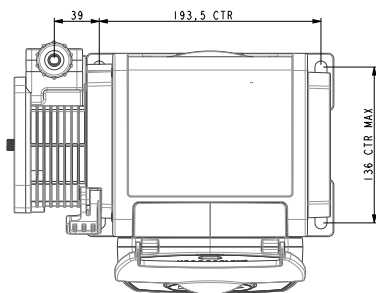
Features

	Ds500	Ds500+
Numerical flow display	✓	✓
Numerical speed display	✓	✓
Fluid level monitor	✓	✓
Max (prime)	✓	✓
Auto restart (after power restored)	✓	✓
Fluid recovery	✓	✓
Leak detection	✓	✓
4.3" colour touchscreen	✓	✓
Fault reporting	✓	✓

Control Methods

	Ds500	Ds500+
Manual control capability	✓	✓
Input/ Output options		✓
4-20mA input		✓
4-20mA input two point calibration		✓
4-20mA output		✓
Contact input (pulse/batch)		✓
Run stop input		✓
Alarm output		✓
Keypad lock	✓	✓
PIN lock to protect set up	✓	✓

Dimensions

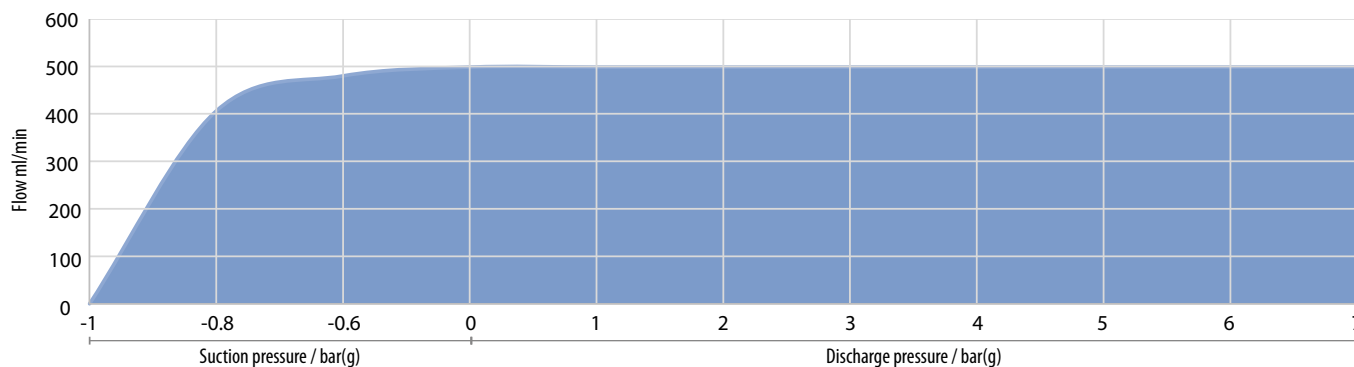


All dimensions are in mm.
All dimensions and weights are for guidance only.

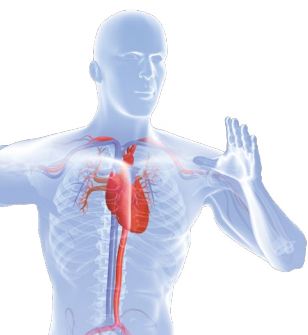
VERDERFLEX

Ds500

Performance curve



Flows are typical and were measured with water at 20°C. Actual flows will vary according to suction conditions, discharge pressure and normal component production tolerances.



Find your local supplier at www.verderliquids.com

For construction, installation and floor mounting drawings please contact your local authorised Verderflex® distributor.