

VERDERFLEX

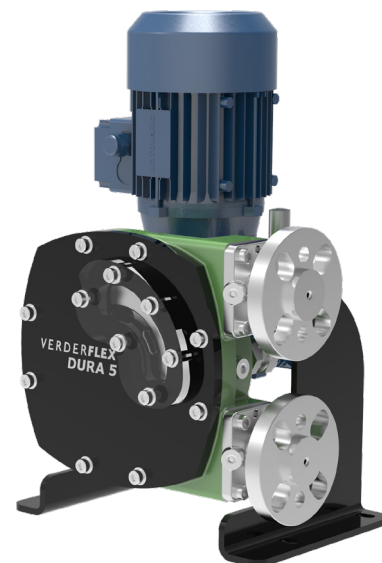
Dura 5

Description

The Verderflex Dura 5 is a compact, high pressure hose pump with superior secondary containment. Designed for dosing, metering, sampling, high lift or medium head applications in brewing, chemical processing, industrial plants, water treatment and effluent and waste water processing.

Your benefits

- Ideal for abrasive or high solid content slurries
- Self Priming, problem free pumping of gaseous liquids
- Easily pumps viscous liquids
- Gentle low shear pumping action
- Dry running capabilities
- Long life hoses
- No seals or valves
- FDA CFR21 and EC/1935, optional ATEX



Technical data

Maximum Flow Rate	23 l/h	Maximum Medium Temperature	80°C
Maximum Discharge Pressure	8 bar	Maximum Incompressible Solid Size	0.55 mm
Maximum Suction Lift	9.5 mwc	Maximum Compressible Solid Size	1.25 mm
Hose ID	5 mm		

Materials

Description	Materials	Paint Detail
Pump housing	Cast iron (GG25)	Green powder coated
Front cover	Carbon steel with Plexiglass inspection window	Black powder coated
Rotor	Cast iron (GG25)	
Drive shaft	EN24T steel	
Port flange	316 stainless steel universal slotted design fits with DIN PN16, ANSI 150# & JIS10K Options: 316 stainless steel with polypropylene or P.V.D.F insert*, DIN11851 hygienic, DIN32676 tri-clamp	
Mounting frame	Carbon steel	Black powder coated
Gearbox flange	Aluminium	
Bearing	Bearing steel	
Shaft seal	FKM	
Lubricant	Verderlube - Glycerine based lubricant** Verdersil - Silicone based lubricant***	
Hose	Natural rubber (NR) Options: Nitrile buna rubber (NBR), Hypalon® (CSM) and Verderprene	
Weight	Complete pump excluding drive: 19kg	

* Temperature limit for PP insert is 40°C and for PVDF insert is 80°C.

** Temperature limit for Verderlube is 50°C.

*** Suitable for application above 50°C, but subject to maximum temperature limit of the hose and applications involving strong oxidising agents and nitrogenous compounds.

VERDERFLEX

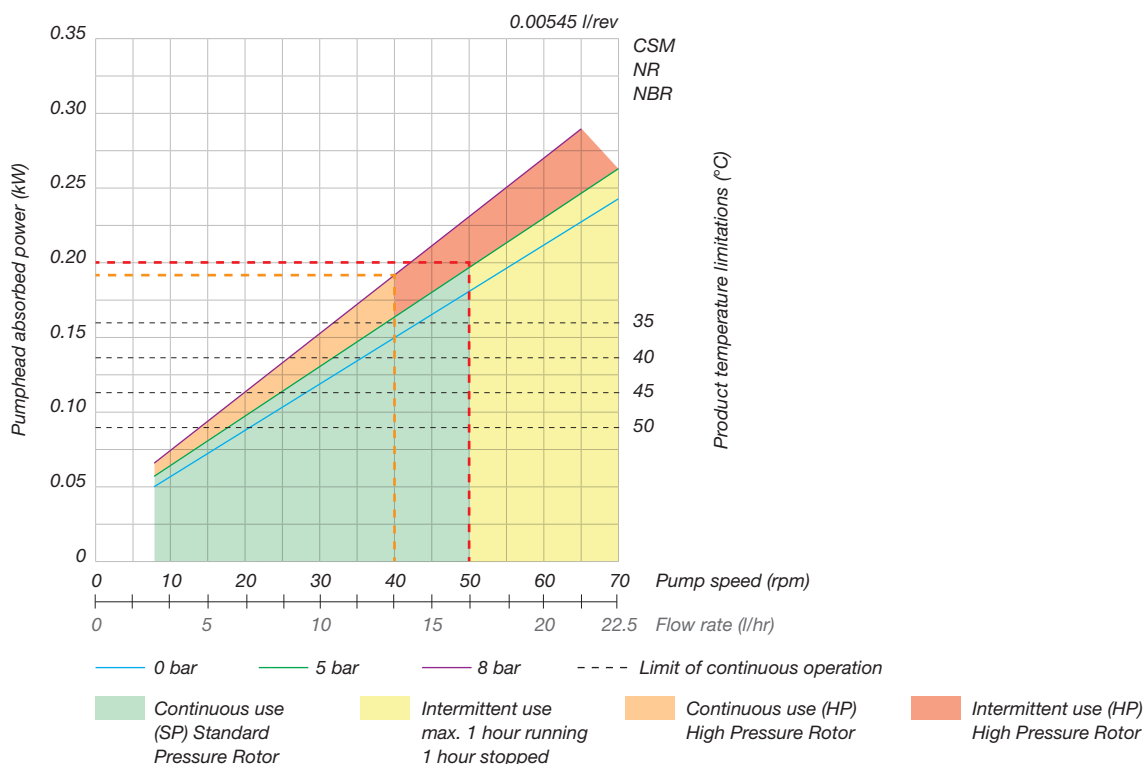
Dura 5

Standard pump options for 50Hz motor fitted with worm gearbox, suitable for inverter duty

Flow l/hr	Pump speed RPM	Installed motor power kW	Max. turndown at 5 Bar discharge pressure
8	23	0.18	3:1
11	35	0.25	3:1
15	47	0.37	3:1
18	56	0.37	3:1
23	70	0.55	3:1

Any application outside of this range may require special review.

Performance curve



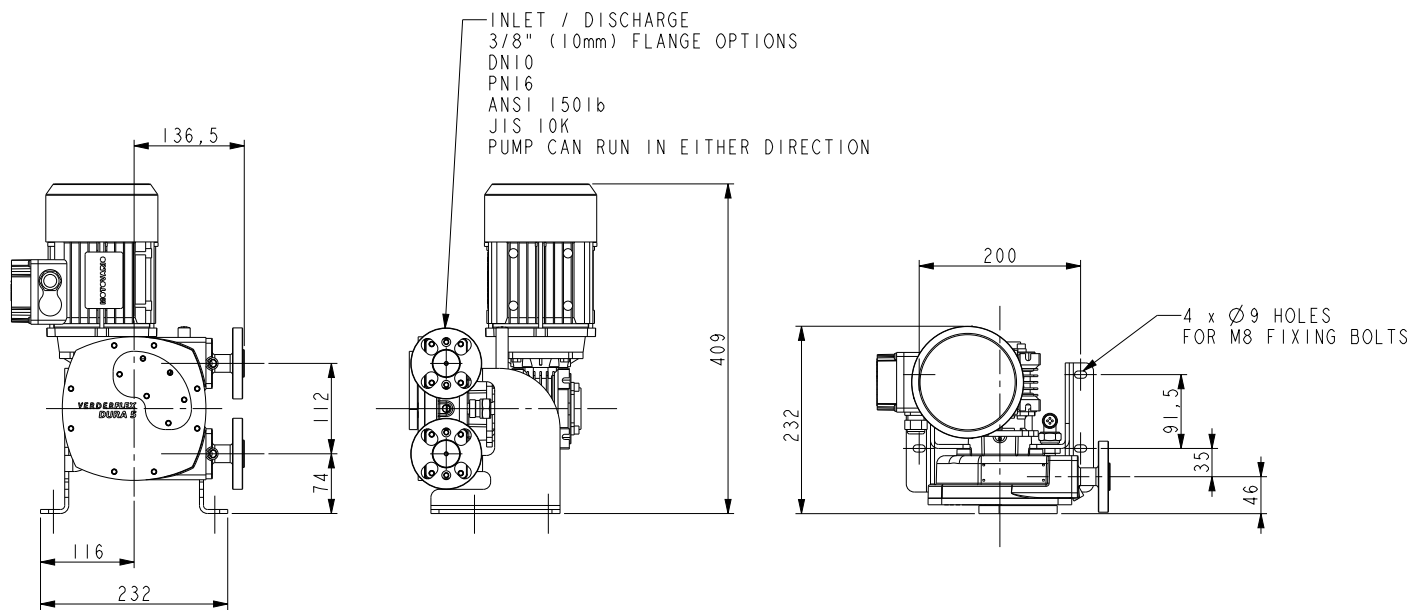
Flows are typical and were measured with water at 20°C with no suction lift or discharge pressure. Actual flows will vary according to suction conditions, discharge pressure and normal component production tolerances.

DURA PUMPS OPERATING ABOVE 5 BAR REQUIRE CONSULTATION WITH MANUFACTURER OR DISTRIBUTOR.

VERDERFLEX

Dura 5

Dimensions



All dimensions are in mm.

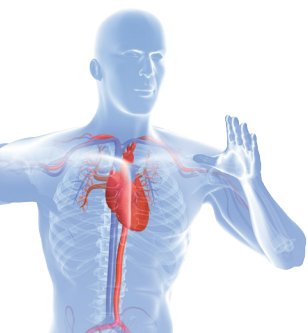
All dimensions and weights are or guidance only.

Trademarks

VERDERFLEX® is a registered trademark of Verder B.V. No permission is granted to use any Verder, trademarks or trade names included in this document without the prior written agreement of Verder B.V.

Tri-clamp® is a registered trademark of Alfa Laval Corporate AB.

Hypalon® is a registered trademark of RSCC Wire & Cable LLC.



Find your local supplier at www.verderflex.com

For construction, installation and floor mounting drawings please contact your local authorised Verderflex® distributor.