

Swing Check Valve

Swing Check Valve prevents backflow of the medium. The disc opens automatically if the medium flows in the direction indicated by the arrow on the valve body. Gravity assisted closure of the disc occurs when the flow stops or reverses.



Design Features:

- ✦ Swing Check Valves are fully compliant with AWWA C508 and MSS SP71 standards.
- ✦ High strength ductile iron body used for lowering the weight and improving long term durability.
- ✦ All iron parts are coated inside & outside with fusion bonded epoxy for corrosion resistance per AWWA C550.
- ✦ Available with either metal seat or resilient seat.
- ✦ Bronze Seat Ring reduces wear and tear.
- ✦ Valve shall be installed in the horizontal position due to gravity operation of the disc.
- ✦ Simple design, top entry cover allows for access for cleaning, replacement and maintenance easy.
- ✦ NSF61 approved material available as option.

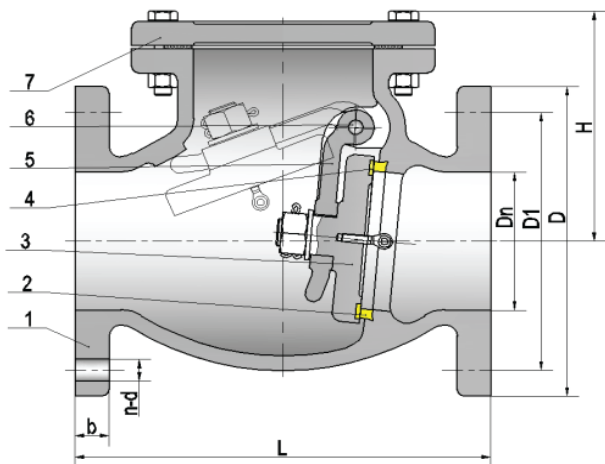
Typical Applications:

General Water Supply, Fire Fighting, HVAC, District Cooling & Sewage System

Technical Data:

Design Standard:	AWWA C508 / MSS SP71
Size Range:	2" – 24"
Pressure Rating:	200 psi
Working Temperature:	-10°C – 80°C
End Connection:	ANSI B16.1 / B16.5
Face-to-Face:	AWWA C508
Test & Inspection:	AWWA C508 / API 598

Swing Check Valves



Parts List & Materials

No.	Parts Name	Materials	Standards
1	Body	Ductile Iron	ASTM A126 B
2	Seat Ring	Bronze	ASTM B62
3	Disc	Ductile Iron	ASTM A126 B
4	Disc Ring	Bronze	ASTM B62
5	Hinge	Ductile Iron	ASTM A536
6	Hinge Pin	Stainless Steel	ASTM A276 SS410
7	Bonnet	Ductile Iron	ASTM A126 B

✦ Lifting eyebolt provision is provided for 8" and above.

Main Dimensions

unit: inch

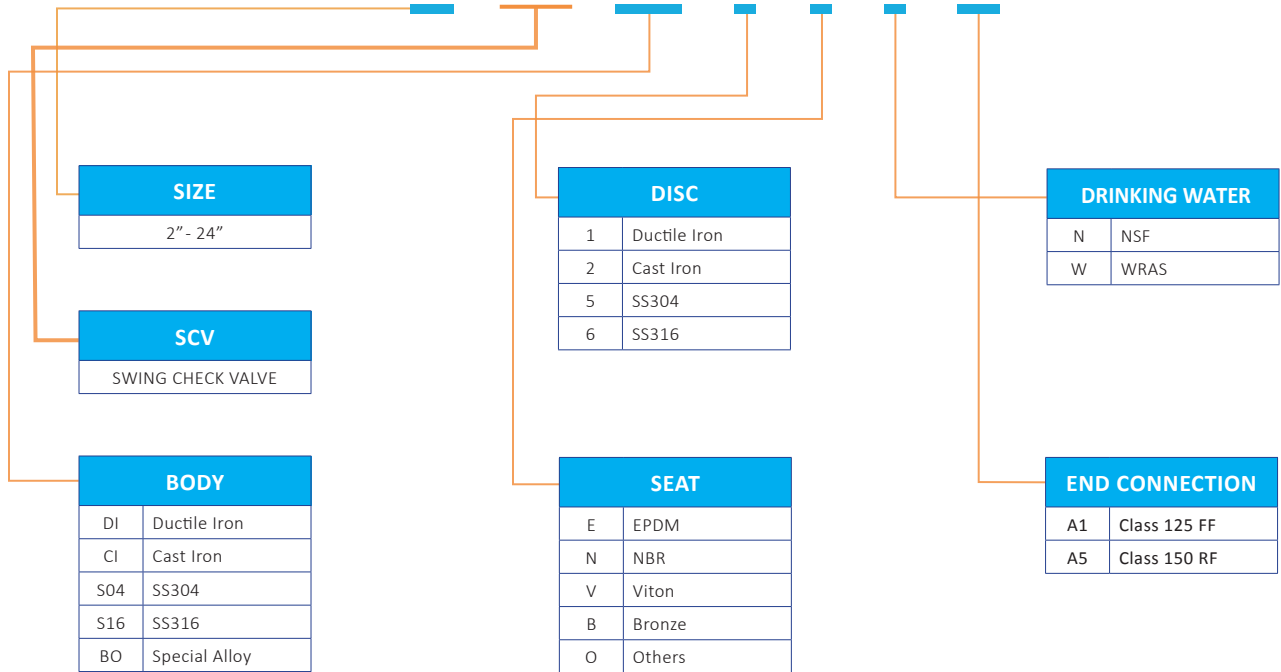
NPS	L	D	D1	b	n-d	H
2"	8	6	4 ³ / ₄	⁵ / ₈	4 - ³ / ₄	5
2 1/2"	8 1/2	7	5 1/2	¹¹ / ₁₆	4 - ³ / ₄	5 1/8
3"	9 1/2	7 1/2	6	¹² / ₁₆	4 - ³ / ₄	6
4"	11 1/2	9	7 1/2	¹⁵ / ₁₆	8 - ³ / ₄	6 3/4
5"	13	10	8 1/2	¹⁵ / ₁₆	8 - ⁷ / ₈	7 3/4
6"	14	11	9 1/2	1	8 - ⁷ / ₈	10 1/4
8"	19 1/2	13 1/2	11 3/4	1 1/4	8 - ⁷ / ₈	13 1/8
10"	24 1/2	16	14 1/4	1 1/4	12 - 1	15 1/8
12"	27 1/2	19	17	1 1/4	12 - 1	16 3/4
14"	31	21	18 3/4	1 3/4	12 - 1 1/8	17 3/4
16"	36	23 1/2	21 1/4	1 3/4	16 - 1 1/8	20 1/8
18"	33 1/2	25	22 3/4	1 3/4	16 - 1 1/4	27 5/8
20"	40	27 1/2	25	1 3/4	20 - 1 1/4	29 3/4
24"	48	32	29 1/2	2	20 - 1 3/8	33 3/4

unit: mm

DN	L	D	D1	b	n-d	H
50	203	152	120.7	15.9	4-19	124
65	216	178	139.7	17.5	4-19	129
80	241	191	152.4	19.1	4-19	153
100	292	229	190.5	23.9	8-19	170
125	330	254	215.9	23.9	8-22	196
150	356	279	241.3	25.4	8-22	259
200	495	343	298.5	28.6	8-22	332
250	622	406	362	30.2	12-25	383
300	699	483	431.8	31.8	12-25	425
350	787	533	476.3	35	12-29	450
400	914	597	539.8	36.6	16-29	512
450	851	635	577.9	39.7	16-32	702
500	1016	699	635	42.9	20-32	755
600	1219	813	749.3	47.7	20-35	856

PRODUCT SELECTION

VT - XX - SCV - XXX - X - X - X - XX



VAHN-TECH International Inc.

10-755 Queensway East, Mississauga, Ontario L4Y 4C5, Canada
Tel.: +1 416 342 0001 E-mail: info@vahn-tech.com

www.vahn-tech.com