

## Single Orifice Air Release Valve

Single orifice air release valve is commonly installed in high points of the pipeline, and used for exhausting the compressed air in pipeline system. These are essential for water hammer protection and pipeline efficiency. Trapped air pocket created from dissolved air in water or entered through mechanical equipment, can reduce pipeline capacity up to 5-10% if not properly exhausted. Air valve will open whenever air pockets accumulate in the valve, removing it from the pipeline system.



### Features:

- ✦ High strength ductile iron body is used for reducing the weight and improving the valve's long-term durability.
- ✦ Simple mechanism with lever and float.
- ✦ The float and internal mechanism are made of SS304 for extended service life.
- ✦ All iron parts are coated inside & outside with fusion bonded epoxy for corrosion resistance as per AWWA C550.
- ✦ Male connection can easily be connected to isolated valves, no need for further nipples.
- ✦ End connection can be BSPT or NPT thread.

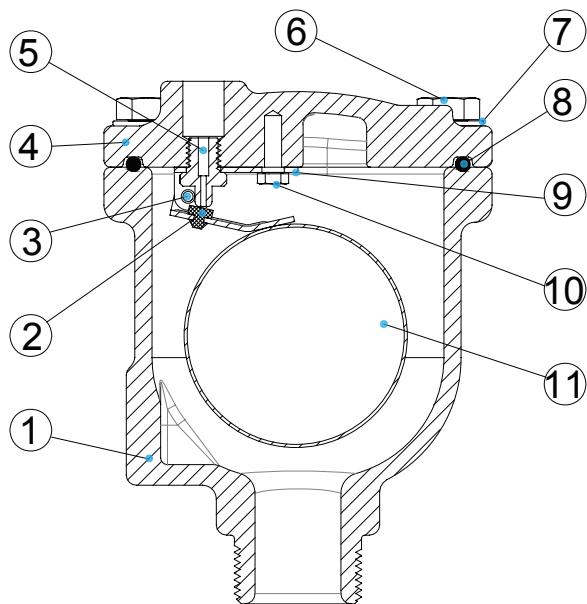
### Service Field:

Clean water system

### Technical Data:

Size Range:	1/2" – 1"
Pressure Rating:	200 psi / 300 psi
Working Temperature:	-10°C – 80°C
End Connection:	NPT Male

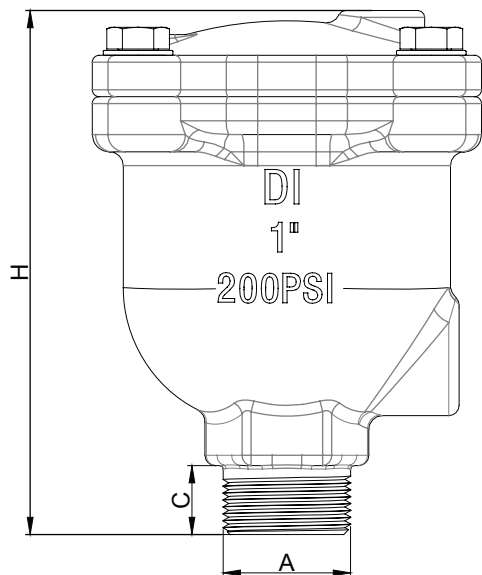
## Single Orifice Air Release Valves (1/2" - 1")



### Parts List & Materials

No.	Part Name	Material	Standard
1	Body	Ductile Iron	ASTM A536
2	Seat	Rubber	EPDM
3	Pin	Stainless Steel	SS304
4	Bonnet	Ductile Iron	ASTM A536
5	Small Nozzle	Stainless Steel	SS304
6	Hexagon Bolt	Stainless Steel	SS304
7	Washer	Stainless Steel	SS304
8	O-Ring	Rubber	NBR
9	Support Plate	Stainless Steel	SS304
10	Hexagon Bolt	Stainless Steel	SS304
11	Float	Stainless Steel	SS304

### Main Dimensions



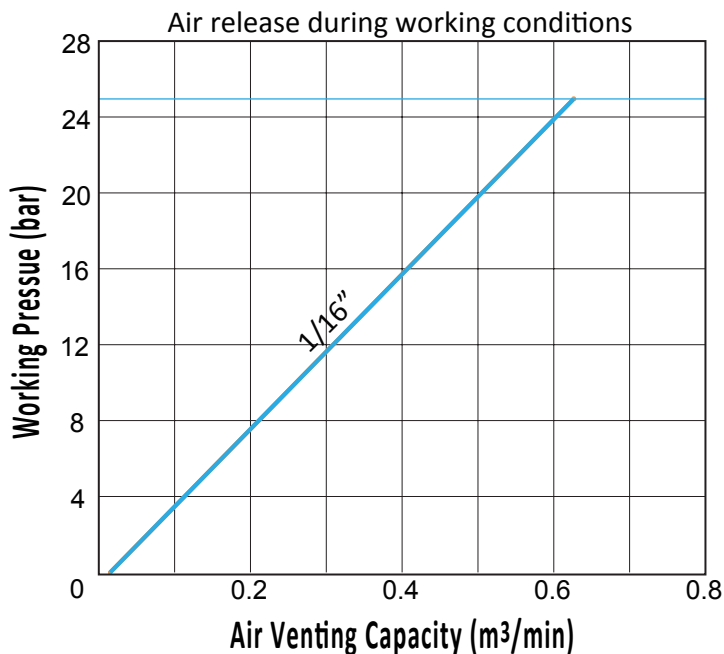
Unit: inch

NPS	A	C	H
1/2"	G 1/2"	3/4"	6
3/4"	G 3/4"	3/4"	6
1"	G 1"	3/4"	6

Unit: mm

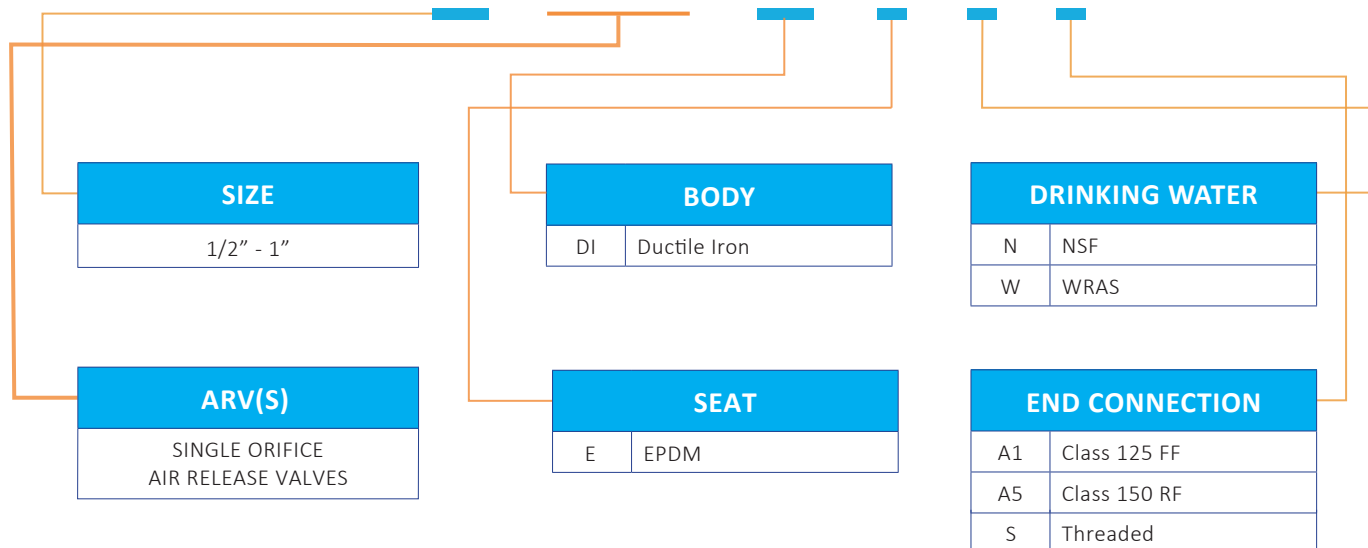
DN	A	C	H
15	G 1/2"	19	150
20	G 3/4"	19	150
25	G 1"	19	150

## Flow Performance



## PRODUCT SELECTION

**VT - XX - ARV(S) - XX - X - X - X**



**VAHN-TECH International Inc.**

10-755 Queensway East, Mississauga, Ontario L4Y 4C5, Canada  
Tel.: +1 416 342 0001 E-mail: info@vahn-tech.com

[www.vahn-tech.com](http://www.vahn-tech.com)