

Groove End Butterfly Valves

Concentric Resilient Butterfly Valves are used for isolation and flow control in piping systems. The groove end butterfly valves are ideal for throttling application with its smooth body cavity reducing the media pressure loss. The EPDM embedded disc allows for use in highly corrosive applications.

Design Features:

- ✦ Grooved connection compliant with AWWA C606 standard.
- ✦ Connection compatible with Victaulic joints.
- ✦ High strength ductile iron body used for lowering the weight and improving long term durability.
- ✦ All iron parts are coated inside & outside with fusion bonded epoxy for corrosion resistance per AWWA C550.
- ✦ NSF61 approved material available as option.

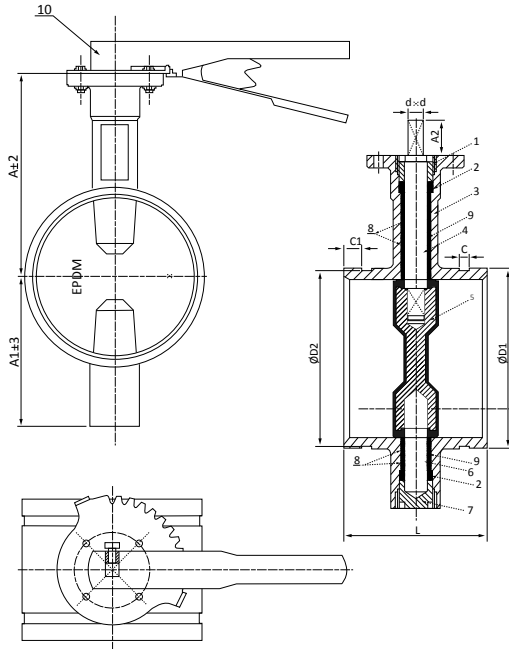


Typical Applications:

Indoor & outdoor use. Fire inflow water, Drain pipe, High-rising building fire fighting system, Industrial factory building fire protection system.

Technical Data:

Design Standard:	AWWA C606
Size Range:	2" – 12"
Working Temperature:	-10°C ~ 80°C (14F ~ 112F)
End Connection:	AWWA C606
Pressure Rating:	300 psi



No	Part Name	Material	Standards
1	Body	Ductile Iron	ASTM A536 Grade 65-45-12
2	Disc + Rubber Seat	Ductile Iron + EPDM	ASTM A536 + ASTM D2000
3	Shaft Seal	EPDM	ASTM D2000
4	Upper Shaft Sealing Nut	WCB	ASTM 216
5	Upper Shaft	416 Stainless Steel	ASTM A582
6	Lower Shaft	416 Stainless Steel	ASTM A582
7	Lower Shaft Sealing Nut	WCB	ASTM A216
8	Steam Bushing	C95400	ASTM B505
9	O-Ring	EPDM	ASTM D2000
10	Lever	Malleable Iron	ASTM A338

Main Dimensions

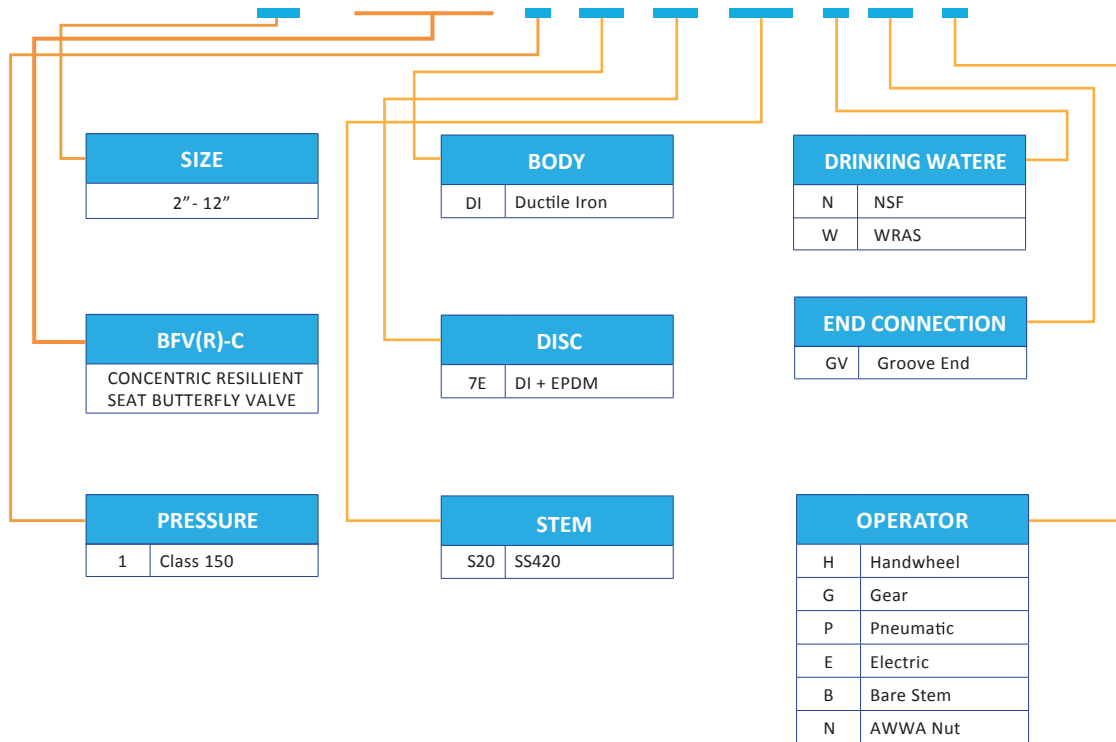
unit: mm

NPS	DN	A	A1	A2	D1*	D2*	B	C	d	L	Top Flange
2"	50	110	85	32	60.3	57.2	15.9	7.9	10	81	F07
2 1/2"	60	125	95	32	73	69.1	15.9	7.9	10	96.4	F07
3"	80	140	100	32	88.9	84.9	15.9	7.9	11	97	F07
4"	100	160	100	32	114.3	110.1	15.9	9.5	14	115	F07
5"	125	170	125	32	139.7	135.5	15.9	9.5	14	132.4	F07
6"	150	190	140	32	165.1	160.9	15.9	9.5	16	132.4	F07
8"	200	230	175	37	216.3	211.6	19	11.1	19	147.4	F10
10"	250	260	200	45	273	268.2	19	12.7	22	159	F10
12"	300	300	240	45	323.8	318.3	19	12.7	26	165	F10

*Other diameters available as options, contact us for more details

PRODUCT SELECTION

VT - XX - BFV(R)-C - X - XX - XX - XXX - X - XX - X



VAHN-TECH International Inc.

10-755 Queensway East, Mississauga, Ontario L4Y 4C5, Canada

Tel.: +1 416 342 0001 E-mail: info@vahn-tech.com

www.vahn-tech.com