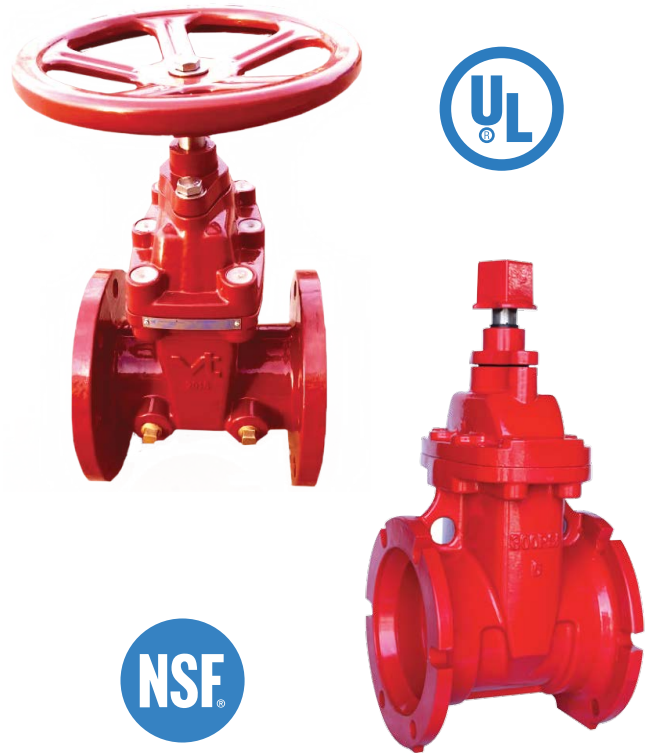


## AWWA C515/C509 Resilient Seated Gate Valves

Resilient Seated gate valves are used as isolation valves for a broad range of applications, including reliable and safe supply of drinking water, service and firefighting water. They are suitable for both above ground and underground installation.



### Design Features:

- ✦ Resilient Seated Gate Valves fully meet or exceed AWWA C509 and AWWA C515.
- ✦ High strength ductile iron body used for lowering the weight and improving long term durability.
- ✦ Ductile iron wedge is fully encapsulated in vulcanized EPDM / NBR rubber leaving no exposed metal surface. Central guides help reduce friction between wedge and body during open/close operations.
- ✦ All iron parts are coated inside & outside with fusion bonded epoxy for corrosion resistance per AWWA C550.
- ✦ Stem seal design provides effective sealing against dirt and other impurities.
- ✦ Upper O-Rings are replaceable with valve fully open under operating pressure.
- ✦ The waterway is smooth, well rounded, and provides superior flow characteristics and venturi effect.
- ✦ ANSI B16.1 Class 125 and ANSI B16.5 Class 150 flanges are both available. Mechanical Joints connection (MJxMJ or FxMJ) or groove end also available as option.
- ✦ NSF61 & NSF372 certified for Drinking Water.
- ✦ UL listed Valve

### Typical Applications:

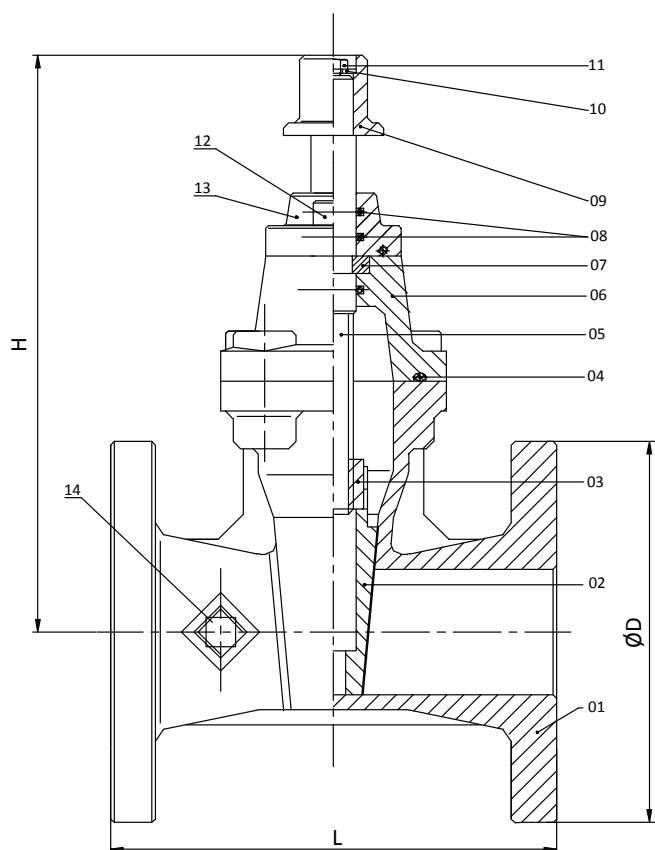
General Water Supply, Fire Fighting, HVAC, District Cooling & Sewage System

### Technical Data:

Design Standard:	AWWA C509 / C515
Size Range:	2" – 12"
Pressure Rating:	200 psi / 300 psi
Working Temperature:	-10°C – 80°C
End Connection:	ANSI B16.1 / ANSI B16.5 (Flanged), AWWA C111 (MJ)
Face-to-Face:	AWWA C509 / C515
Test & Inspection:	AWWA C509 / C515

## Resilient Seat Gate Valves (Non-Rising Stem, Flanged)

### 2" - 12"



### Parts List & Materials

No.	Parts Name	Materials	Standards
1	Body	Ductile Iron	ASTM A536
2	Wedge	Ductile Iron + EPDM	ASTM A536
3	Nut	Cast Bronze	ASTM B62
4	Gasket	Rubber	EPDM
5	Stem	Stainless Steel	SS420
6	Cap	Ductile Iron	ASTM A536
7	Retainer Ring	Cast Bronze	ASTM B148
8	O-Ring	Rubber	EPDM
9	AWWA Nut	Ductile Iron	ASTM A536
10	Flat Washer	Stainless Steel	SS304
11	Bolt	Stainless Steel	SS304
12	Bolt	Stainless Steel	SS304
13	Stuffing Box	Ductile Iron	ASTM A536
14	Plug	Cast Bronze	ASTM B62

### Main Dimensions

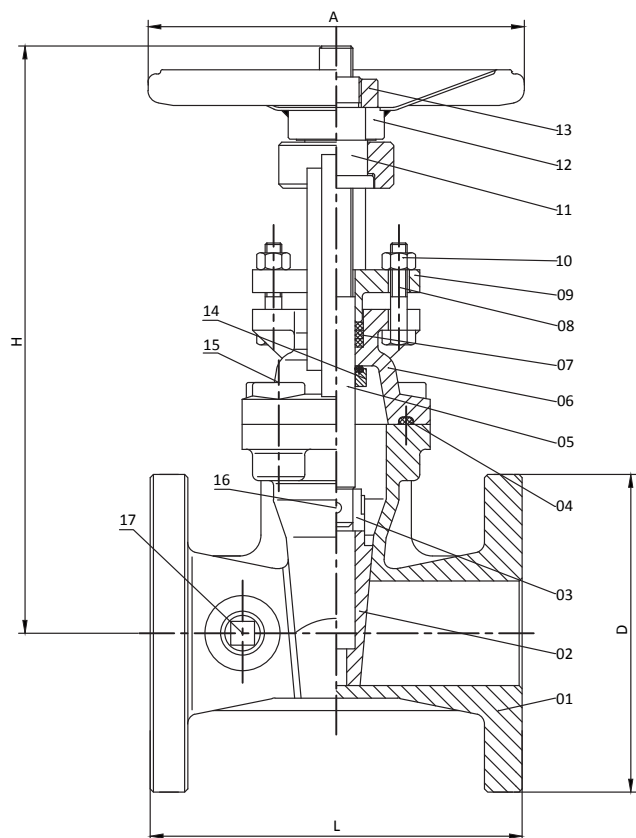
unit: inch

NPS	L	H	D
2"	7	10 <sup>3</sup> / <sub>8</sub>	6
2 1/2"	7 1/2	11 <sup>3</sup> / <sub>8</sub>	7
3"	8	12 <sup>7</sup> / <sub>8</sub>	7 1/2
4"	9	14	9
5"	10	16 <sup>1</sup> / <sub>8</sub>	10
6"	10 1/2	17 <sup>7</sup> / <sub>8</sub>	11
8"	11 1/2	22	13 1/2
10"	13	25 1/2	16
12"	14	29 <sup>3</sup> / <sub>8</sub>	19

unit: mm

DN	L	H	D
50	178	265	152
65	190	289	178
80	203	326	190
100	229	355	229
125	254	410	254
150	267	455	279
200	292	558	343
250	330	648	406
300	356	745	483

## Resilient Seat Gate Valves (OS&Y, Flanged) 2" - 12"



### Parts List & Materials

No.	Parts Name	Materials	Standards
1	Body	Ductile Iron	ASTM A536 64-45-12
2	Wedge	Ductile Iron + EPDM	ASTM A536 64-45-12 + EPDM
3	Connecting Part	Aluminum Bronze	ASTM B148 C95400
4	Sealing Pad	EPDM	ASTM D2000
5	Stem	Stainless Steel	ASTM A276 304
6	Cap	Ductile Iron	ASTM A536 64-45-12
7	Sealing Kits	Graphite	-
8	Bolt	Stainless Steel	SS304
9	Platen	Ductile Iron	ASTM A536 64-45-12
10	Nut	Stainless Steel	SS304
11	Rotating Nut	Aluminum Bronze	ASTM B148 C95400
12	Handwheel	Stainless Steel	ANSI 1045
13	Lock Nut	Stainless Steel	ANSI 1045
14	Flat Key	Stainless Steel	SS416
15	Countersunk Head Bolt	Stainless Steel	SS304
16	Cylinder Pin	Stainless Steel	SS304
17	Plug	Cast Bronze	ASTM B148

### Main Dimensions

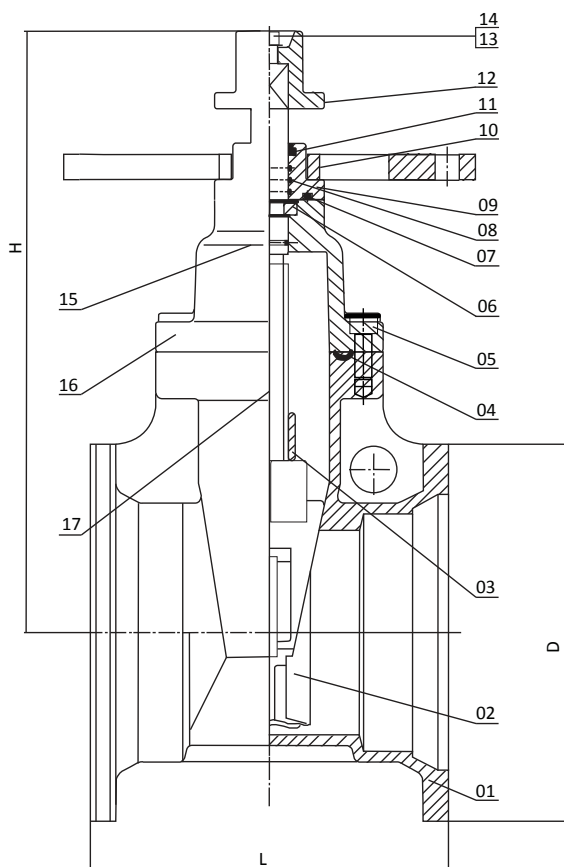
unit: inch

NPS	L	H	D	A
2"	7	12 <sup>3</sup> / <sub>8</sub>	6	7 <sup>1</sup> / <sub>8</sub>
2 1/2"	7 1/2	13 <sup>3</sup> / <sub>8</sub>	7	7 <sup>7</sup> / <sub>8</sub>
3"	8	15 1/4	7 1/2	8 <sup>5</sup> / <sub>8</sub>
4"	9	17 <sup>3</sup> / <sub>8</sub>	9	9 <sup>7</sup> / <sub>8</sub>
5"	10	21 1/2	10	11
6"	10 1/2	23 <sup>3</sup> / <sub>8</sub>	11	11 <sup>3</sup> / <sub>4</sub>
8"	11 1/2	31	13 1/2	13 <sup>3</sup> / <sub>4</sub>
10"	13	37 1/4	16	16
12"	14	43 <sup>3</sup> / <sub>4</sub>	19	16

unit: mm

DN	L	H	D	A
50	178	313	152	180
65	190	340	178	200
80	203	387	191	220
100	229	440	229	250
125	254	546	254	280
150	267	607	279	300
200	292	786	343	350
250	330	946	406	406
300	356	1110	483	406

## Resilient Seat Gate Valves (Non-Rising Stem, Mechanical Joints) 3" - 12"



### Parts List & Materials

No.	Parts Name	Materials	Standards
1	Body	Ductile Iron	ASTM A536 64-45-12
2	Disc	Rubber + Ductile Iron	EPDM + ASTM A536
3	Stem Nut	Aluminum Bronze	C95400
4	Sealing Ring	Rubber	EPDM
5	Hexagon Socket Screw	Stainless Steel	SS304
6	Retaining Ring	Stainless Steel	C95400
7	Sealing Ring	Rubber	EPDM
8	O-Ring	Rubber	EPDM
9	Gland	Ductile Iron	ASTM A536 64-45-12
10	Post Flange	Ductile Iron	ASTM A536 64-45-12
11	Sealing Ring	Rubber	EPDM
12	Wrench Nut	Ductile Iron	ASTM A536 64-45-12
13	Flat Washer	Stainless Steel	SS304
14	Hexagon Socket Screw	Stainless Steel	SS304
15	O-Ring	Rubber	EPDM
16	Bonnet	Ductile Iron	ASTM A536 64-45-12
17	Stem	Stainless Steel	SS304

### Main Dimensions

unit: inch

NPS	L	H	D
3"	8	12 <sup>3</sup> / <sub>5</sub>	7 <sup>3</sup> / <sub>5</sub>
4"	9	13 <sup>3</sup> / <sub>5</sub>	9
6"	10 <sup>1</sup> / <sub>2</sub>	17 <sup>3</sup> / <sub>5</sub>	11
8"	11 <sup>1</sup> / <sub>2</sub>	21	13
10"	13	25	19 <sup>3</sup> / <sub>5</sub>
12"	14	28	18

unit: mm

DN	L	H	D
80	203	322	195
100	229	342	232
150	267	448	282
200	292	534	340
250	330	635	499
300	356	720	456

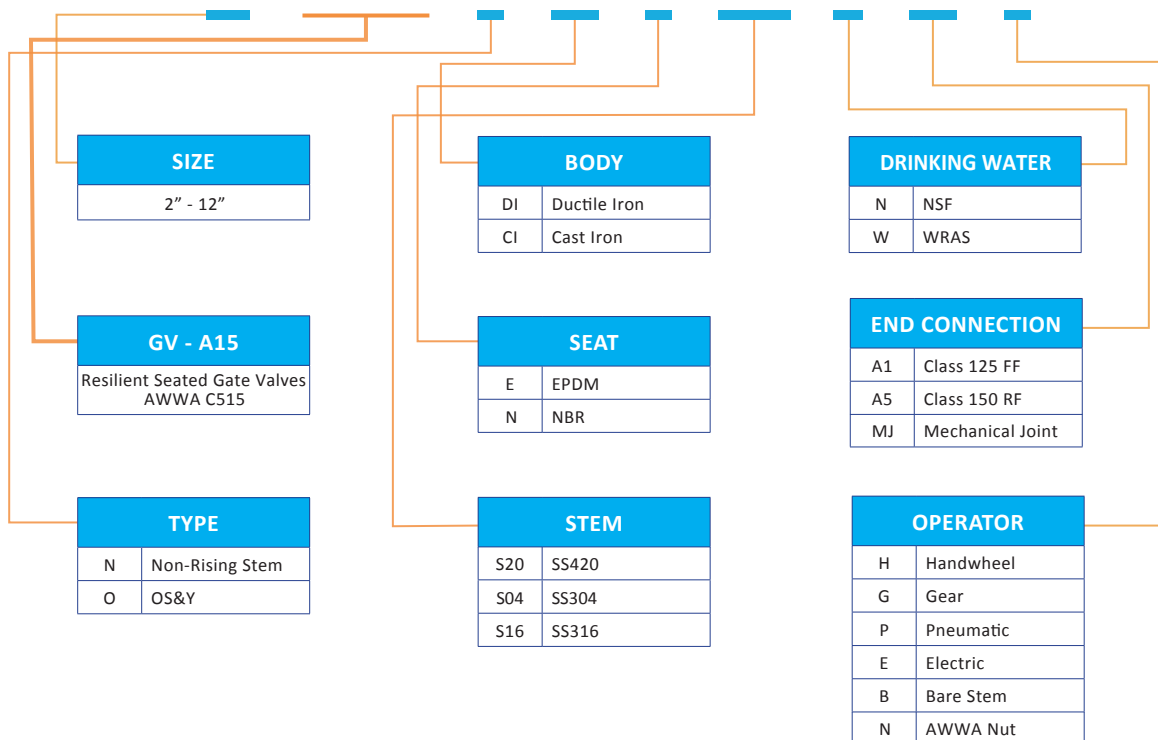
## Technical Parameters

NPS	DN	Torque (N.m) <sup>*</sup>	Weight (kg)	Number of turns
2"	50	59	14	13
2 1/2"	65	68	17	17
3"	80	75	20	20
4"	100	104	31	25
5"	125	122	42	25
6"	150	149	50	30
8"	200	204	88	40
10"	250	251	135	42
12"	300	305	190	50

<sup>\*</sup> Not including safety factor.

## PRODUCT SELECTION

**VT - XX - GV-A15 - X - XX - X - XXX - X - XX - X**



## VAHN-TECH International Inc.

10-755 Queensway East, Mississauga, Ontario L4Y 4C5, Canada  
Tel.: +1 416 342 0001 E-mail: info@vahn-tech.com

[www.vahn-tech.com](http://www.vahn-tech.com)