

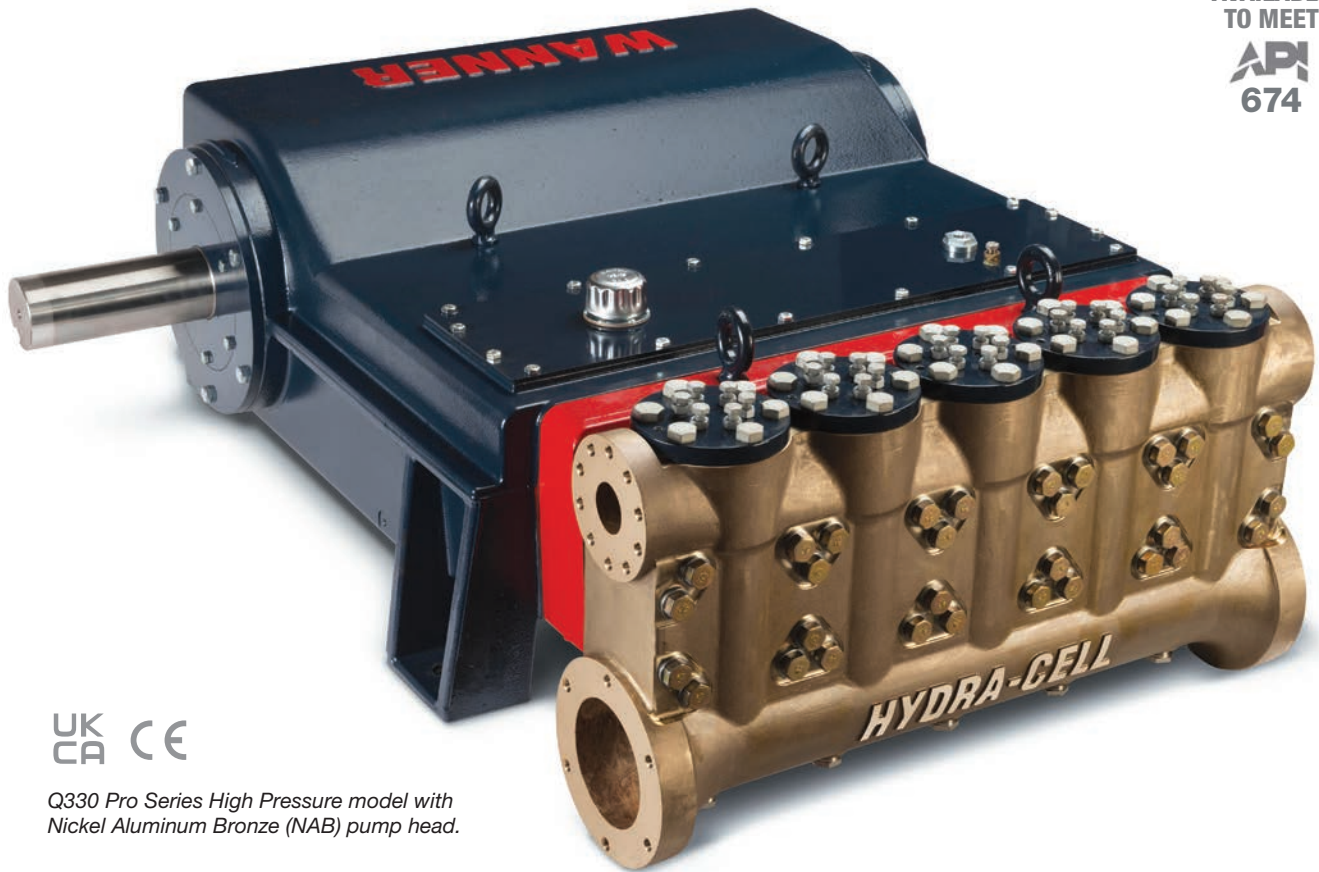
Q330 PRO SERIES HIGH PRESSURE

Maximum Flow Rate: 118 gpm (446 l/min) 4045 BPD
Maximum Pressure: 4500 psi (310 bar)

 **WANNER™** HYDRA-CELL® PRO
SEAL-LESS PUMP TECHNOLOGIES

AVAILABLE
TO MEET

674



UK
CA CE

*Q330 Pro Series High Pressure model with
Nickel Aluminum Bronze (NAB) pump head.*

A higher standard of pump performance and energy efficiency.

- Integrates **Wanner Hydra-Cell® Pro** seal-less pump technologies for the highest levels of volumetric and energy efficiencies across a full rpm range.
- Patented ADPC (Advanced Diaphragm Position Control) and hydraulic oil management system protect diaphragms under closed or restricted inlet conditions.
- Can run dry indefinitely without damage to the pump.
- Pumped fluid is 100% contained – zero environmental impact, no ground contamination, no volatile emissions.
- Seal-less design eliminates leaks, hazards, and the expense associated with seals and plunger packing.
- Exceeds API 675 standards for accuracy, linearity, and repeatability.
- Reliably handles a wide range of viscosities and shear sensitivities, corrosive fluids, abrasives, slurries and particulates.
- Reduced ownership costs – acquisition, operation, service, maintenance and energy use.

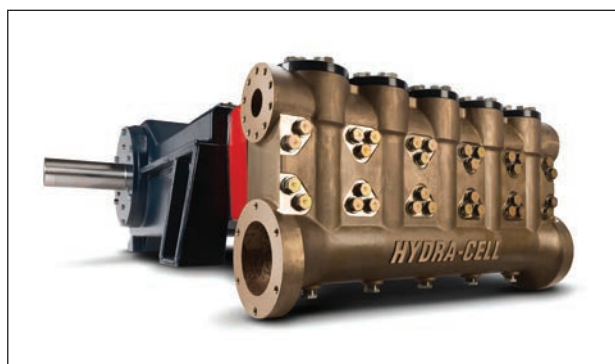
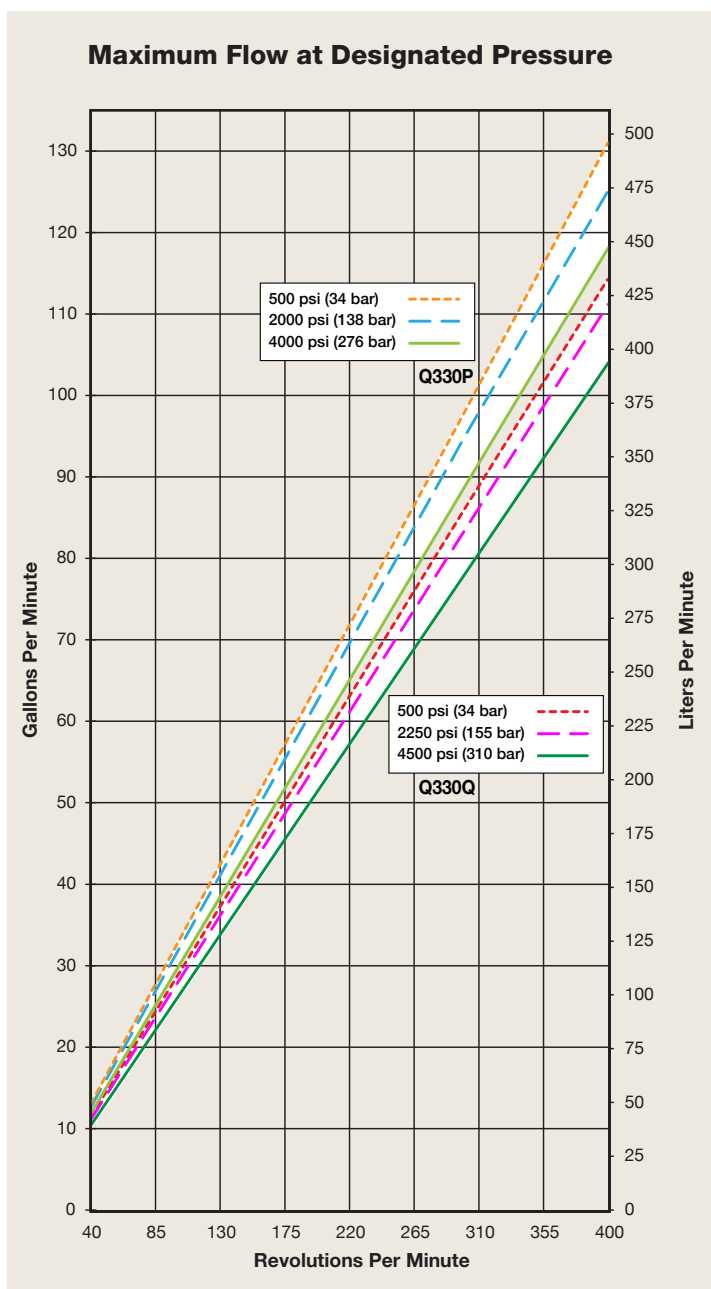

WANNER™

Q330 Pro High Pressure | Performance

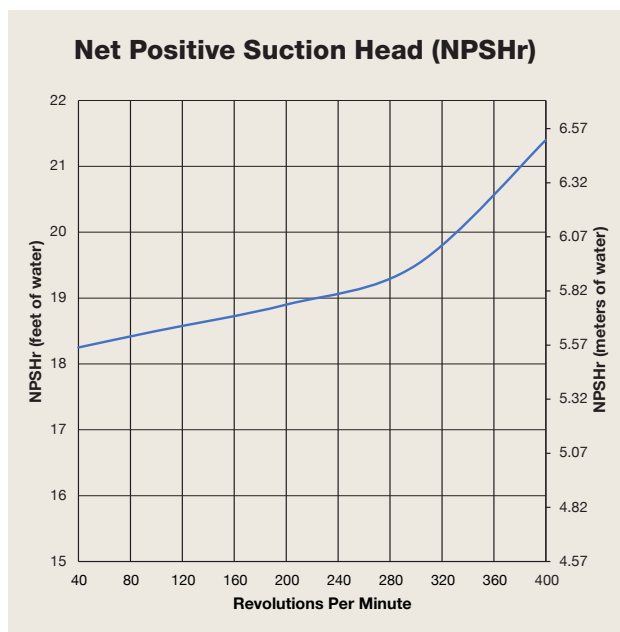
Capacities

| Model | Max. Input rpm | Plunger Dia. | | Max. Flow Capacities | | | Max. Pressure Ratings Discharge | | Inlet | |
|-------|-------------------|--------------|----|----------------------|-------|------|------------------------------------|-----|-------|-----|
| | | inches | mm | gpm | l/min | BPD | psi | bar | psi | bar |
| Q330P | 400 | 2.000 | 51 | 118 | 446 | 4045 | 4000 | 276 | 500 | 34 |
| Q330Q | 400 | 1.875 | 48 | 104 | 393 | 3566 | 4500 | 310 | 500 | 34 |

Consult factory when operating below 40 rpm



Q330 Pro Series pumps feature the Hydra-Cell seal-less design, eliminating clean-up costs from leaking seals or packing and protecting operators from dangerous fluids such as those containing hydrogen sulfide.



Due to the Wanner Engineering Continuous Improvement Program, specifications and other data are subject to change.

Q330 Pro High Pressure | Specifications

Flow Capacities

| Model | Pressure psi (bar) | rpm | gpm | l/min | BPD |
|-------|--------------------|-----|-----|-------|------|
| Q330P | 4000 (278) | 400 | 118 | 446 | 4045 |
| Q330Q | 4500 (310) | 400 | 104 | 393 | 3566 |

Delivery

| | Pressure psi (bar) | gal/rev | liters/rev |
|-------|--------------------|---------|------------|
| Q330P | 500 (34) | 0.325 | 1.230 |
| | 2000 (138) | 0.310 | 1.172 |
| | 4000 (278) | 0.293 | 1.109 |
| Q330Q | 500 (34) | 0.286 | 1.083 |
| | 2250 (155) | 0.276 | 1.046 |
| | 4500 (310) | 0.260 | 0.983 |

rpm

| | |
|----------|-----|
| Maximum: | 400 |
| Minimum: | 40 |

Consult factory for speeds less than 40 rpm.

Maximum Discharge Pressure

| | | |
|-----------------|-------|--------------------|
| Metallic Heads: | Q330P | 4000 psi (276 bar) |
| | Q330Q | 4500 psi (310 bar) |

Maximum Inlet Pressure

500 psi (34 bar)

Operating Temperature

| | |
|----------|----------------|
| Maximum: | 180°F (82.2°C) |
| Minimum: | 40°F (4.4°C) |

Consult factory for temperatures outside this range.

Maximum Solids Size

800 microns

Input Shaft

Right Side

Inlet Ports

Weld-On: 6 inch / SCH. 40
6 inch NPT, 6 inch Class 300 RF ANSI

Discharge Ports

Weld-On: 3 inch / SCH. XXH
3 inch NPT, 3 inch Class 2500 RTJ ANSI

Plunger Stroke Length

5 inch (127 mm)

Shaft Diameter

4 inch (101.6 mm)

Shaft Rotation

Uni-directional (See rotation arrow.)

Oil Capacity

110 US quarts (104.1 liters)

Calculating Required Horsepower (kW)*

$$\frac{\text{gpm} \times \text{psi}}{1,460} = \text{electric motor hp}^*$$

$$\frac{\text{lpm} \times \text{bar}}{511} = \text{electric motor kW}^*$$

* hp (kW) is required application power.

Attention!

When sizing motors with variable frequency drives (VFD): It is very important to select a motor and a VFD rated for constant torque inverter duty service and that the motor is rated to meet the torque requirements of the pump throughout desired speed range.

Due to the Wanner Engineering Continuous Improvement Program, specifications and other data are subject to change.

Pump Weight

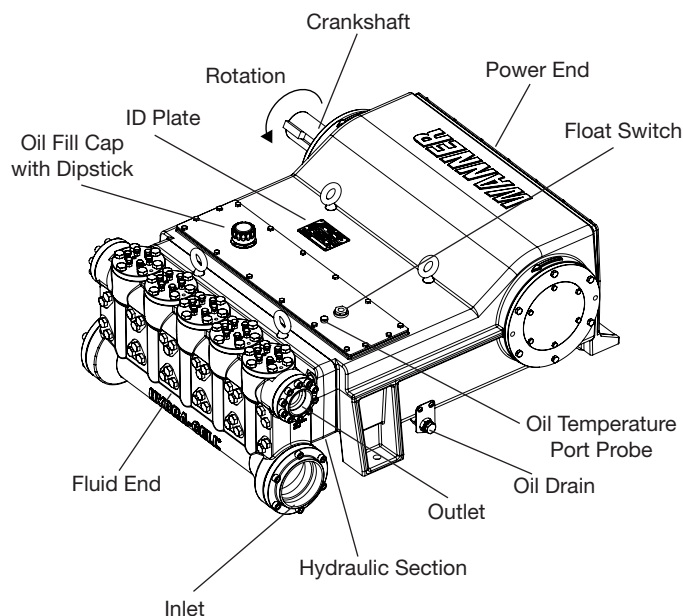
5000 lbs. (2268 kg)

Fluid End Materials

| | |
|------------------------------|---|
| Manifold: | Nickel Aluminum Bronze (NAB) |
| Diaphragm/Elastomers: | FKM Buna-N |
| Diaphragm Follower Screw: | 316 Stainless Steel Duplex Alloy 2205 Stainless Steel Hastelloy C |
| Valve Spring Retainer: | Hastelloy C |
| Check Valve Spring: | Elgiloy Hastelloy C |
| Valve Disc/Seat: | 17-4 Stainless Steel Nitronic 50 Hastelloy C |
| Inlet/Outlet Valve Retainer: | 316 Stainless Steel Duplex Alloy 2205 Stainless Steel Hastelloy C |

Power End Materials

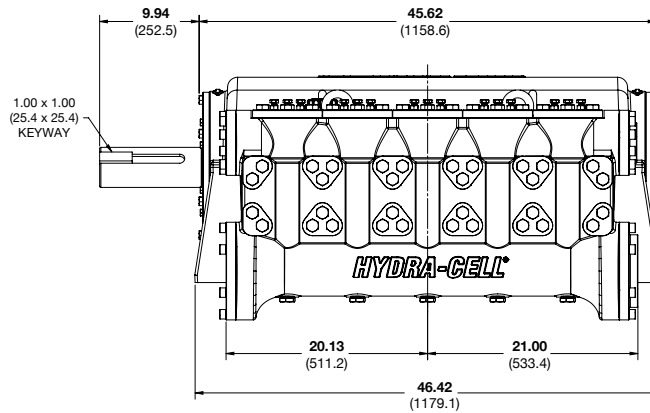
| | |
|------------------|---|
| Crankshaft: | Ductile Iron |
| Connecting Rods: | Ductile Iron |
| Crossheads: | Ductile Iron |
| Crankcase: | Ductile Iron |
| Bearings: | Spherical Roller Journal (outer mains) Steel Backed Tri-metal (crankpin) Bronze (wristpin, center mains) |



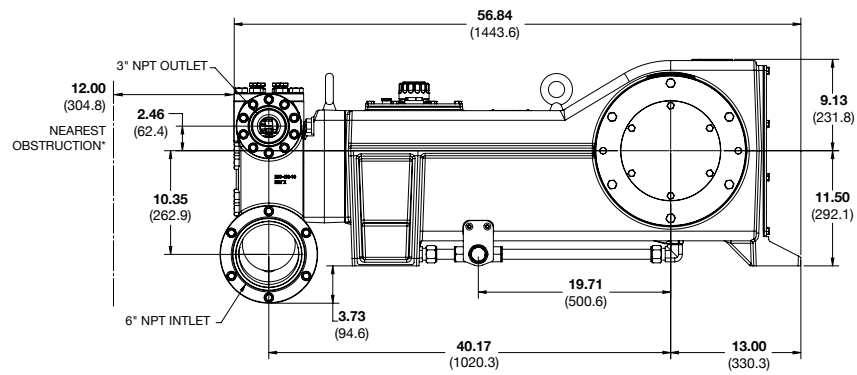
Q330 Pro High Pressure | Drawings

Threaded Version Inches (mm)

Front View

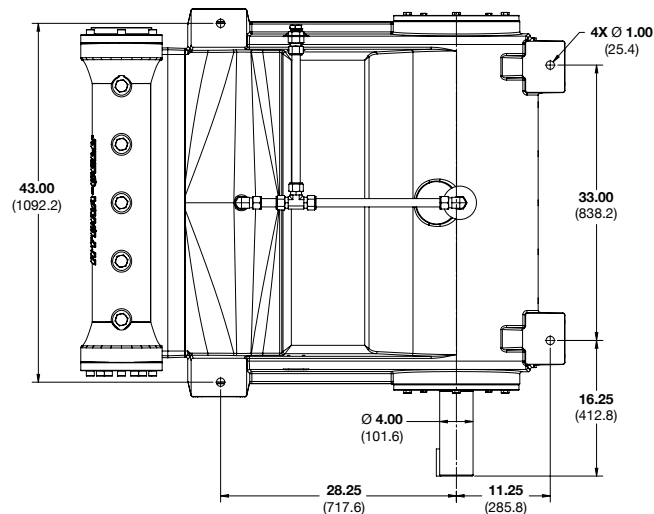


Side View



*Contact factory for obstruction distances closer than 12 inches (304.8 mm).

Bottom View



Note: Dimensions are for reference only. Contact factory for certified drawings.

Q330 Pro High Pressure | How to Order

Ordering Information

A complete Q330 Pro Series High Pressure Model Number contains 14 digits including 8 customer-specified design and materials options, for example: Q330PADTHFETAC.

| | | | | | | | | | | | | | |
|---|---|---|---|---|---|---|---|---|----|----|----|----|----|
| 1 | 2 | 3 | 4 | 5 | 6 | 7 | 8 | 9 | 10 | 11 | 12 | 13 | 14 |
| Q | 3 | 3 | 0 | | | D | | | | | T | | |

High Pressure

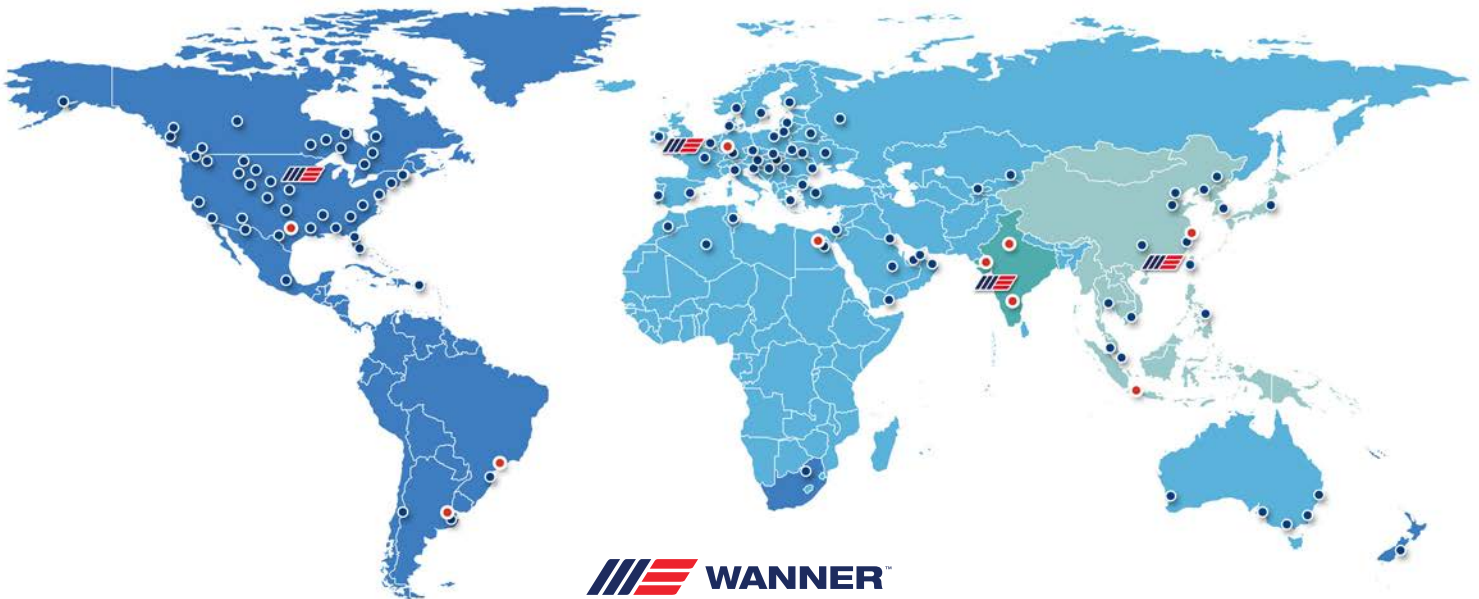
| Digit | Order Code | Description |
|------------|-------------|--|
| 1-4 | Q330 | Pump Configuration Shaft-driven |
| 5 | P | Performance Max. 118 gpm (446 l/min) 4045 BPD @ 4000 psi (276 bar) |
| | Q | Max. 104 gpm (393 l/min) 3566 BPD @ 4500 psi (310 bar) |
| 6 | A | Pump Head Version NPT Ports, Steel |
| | C | Weld Neck, Steel |
| | D | Weld Neck, 316L Stainless Steel |
| | E | Weld Neck, Hastelloy C |
| | F | Weld Neck, Duplex Alloy 2205 Stainless Steel |
| | G | ANSI Flanged Ports, Duplex Alloy 2205 Stainless Steel |
| | T | ANSI Flanged Ports, Hastelloy C |
| 7 | D | Pump Head Material Nickel Aluminum Bronze (NAB) |
| 8 | G | Diaphragm & O-ring Material FKM |
| | T | Buna-N |
| 9 | D | Valve Seat Material Tungsten Carbide* |
| | H | 17-4 Stainless Steel |
| | N | Nitronic 50 |
| | T | Hastelloy C |
| 10 | D | Valve Material Tungsten Carbide* |
| | F | 17-4 Stainless Steel |
| | N | Nitronic 50 |
| | T | Hastelloy C |
| 11 | D | Valve Springs Elgiloy for Tungsten Carbide valves* |
| | E | Elgiloy |
| | T | Hastelloy C |

* Tungsten Carbide valve seat and disc are a matched set and must be purchased together along with appropriate valve springs.

| Digit | Order Code | Description |
|-----------|------------|---|
| 12 | T | Valve Spring Retainers / Valve Guide Hastelloy C / PVDF |
| 13 | A | Hydra-Oil 10W30 standard-duty oil |
| | B | 40-wt. oil |
| | H | 15W50 high-temp severe-duty synthetic oil |
| 14 | C | Oil Level Monitor Cover Float switch, normally closed (recommended) |
| | O | Float switch, normally open |
| | S | Float switch, Class I, Div. 1, Groups A, B, C, D, normally closed |
| | T | Float switch, Class I, Div. 1, Groups A, B, C, D, normally open |
| | Y | No switch, flat back cover |



Partners in over 70 countries






WANNER™
Global Sales and Technical Support




Americas

-  Minneapolis, Minnesota USA
-  Wichita Falls, Texas USA
-  São Paulo, Brazil
-  Buenos Aires, Argentina





EMEA | Australia

-  Hampshire, United Kingdom
-  Cairo, Egypt
-  Remagen, Germany

Asia | Pacific

-  Kowloon, Hong Kong
-  Shanghai, China
-  Jakarta, Indonesia

India

-  Mumbai, India
-  New Delhi
-  Bangalore
-  Gujarat

Wanner worldwide

GLOBAL SALES & TECHNICAL SUPPORT

WANNER ENGINEERING, INC.

WORLD HEADQUARTERS & MANUFACTURING

Minneapolis, Minnesota USA
t: 612-332-5681
e: sales@wannereng.com
Hydra-Cell.com

REGIONAL OFFICE

Wichita Falls, Texas USA
t: 940-322-7111
e: sales@wannereng.com

LATIN AMERICAN OFFICE

São Paulo, Brazil
t: +55 (11) 99582-1969
e: mmagoni@wannereng.com
Hydra-Cell-Pumps.com.br

WANNER INTERNATIONAL, LTD.

UNITED KINGDOM

Church Crookham,
Hampshire UK GU52 8BF
t: +44 (0) 1252 816847
e: support@wannerint.com
Hydra-Cell.co.uk

WANNER PUMPS, LTD.

Kowloon, HONG KONG
t: +852 3428 6534
e: sales@wannerpumps.com
WannerPumps.com

Shanghai, CHINA
t: +86-21-6876 3700
e: sales@wannerpumps.com
WannerPumps.com

WANNER INDIA PVT. LTD.

Mumbai, INDIA
t: +91 (22) 22044766
e: support@wannerindia.com
WannerIndia.com

